



User's Manual

SUN-CATV Series

1550nm Direct Modulation Optical Transmitter

English

Table: SUN-UM-FTTH-CATV003

Version: A/0

*All the trademarks mentioned in this manual are registered property of Sun Telecom.
The right to interpret this manual is reserved by Sun Telecom.*

Trademarks

All trademarks mentioned in this manual are registered property of our company.

Explanation

The content of this manual is subject to our explanation.



Content

1.	Main Technical Characteristics	2
2.	Display Board Operation Guide	2
3.	Operating Guide	3
4.	Notice	3
5.	Diagram	4
6.	Main Technical Parameters	4



1. Main Technical Characteristics

- 1.1 The transmitting modules of this machine adopt the imported DFB laser named SEI and so on.
- 1.2 The internal RF driving amplifier and controlling circuit of this machine can ensure the best C/N. The perfect and stable circuit of optic power output and controlling circuit of thermoelectric refrigeration device of laser module assure the user the best quality and stable working for a long time.
- 1.3 The internal micro-processor software has many functions such as laser monitoring, number display, trouble alarm and on-line management. Once the working parameter of the laser is out of the fixed range, there will be a red light glistening to alarm.
- 1.4 The RS-232 standard connector makes it is possible to manage on line and monitor in another place.
- 1.5 The machine adopts 19"standard shelf and it can work with the voltage from 110V to 254V.

2. Display Board Operation Guide

- Press the button "Status" in the board, the working parameter of this machine can be seen in turn as follows,
- Model: SUN-CATV-T15D series
- Output Power: display the output power of this machine (mW) .
- Laser Temp: the laser works between 20℃ and 30℃ .If the temperature is out of this range, the red light will glisten to warn.
- Bias Current: The bias current of the laser is the main working parameter of the laser. Only when the parameter is above 30mA, RF driving circuit can begin to work. The red light will shine to warn when the RF driving level comes out of the fixed value.
- REFRG Current: Showing the working current of heating or cooling which can make sure the standard temperature is 25℃.



- +5V test (Reads): Showing internal actual Voltage of $\pm 5V$.
- - 5V test (Reads): Showing internal actual-5V.
- +24V test (Reads): Showing internal actual voltage of +24V.

3. Operating Guide

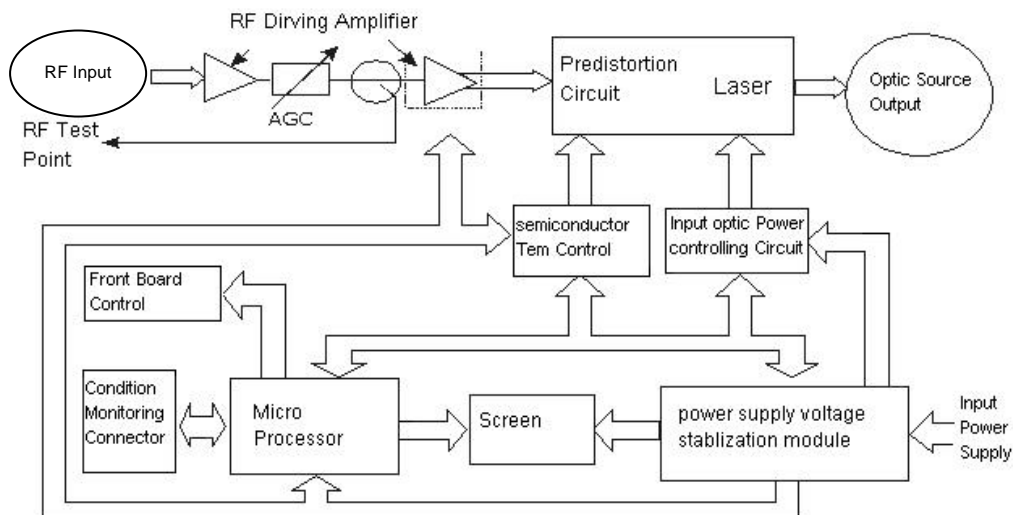
- Please examine this machine, shelf and the power to see if the power supply is good.
- This machine adopts the switch power with high quality and high stability which makes it is suitable to work in voltage from 110V to 254 V.
- Please make sure the connector is clean before installation. Please clean the fiber connector with pure alcohol before connecting the fiber.
- After connecting the power, please turn on the power in the back of the board. The screen will show the basic information of this machine. After several seconds, the laser power will turn on automatically. If the machine is all right, the condition guide light (Laser) will turn from red to green. And the screen will show you the working condition of this machine at present.
- Press the button “STATUS”, then you can see the parameters of this machine in turn.
- If all the above working condition is all right, then examine whether the RF input level can satisfy the request in the test report. If it is all right, please connect the RF input to the transmitter.

4. Notice

- Before installation or operation of unit, please carefully go through this manual.
- SUN Telecom Series Transmitters should be serviced only by qualified personnel.
- Before proceeding with installation and/or operation of transmitter, please assure that transmitter is well earthed.
- SUN Telecom Series transmitters are Class III laser products. Use of controls, adjustments, and procedures other than those specified herein

may result in hazardous laser radiation exposure.

5. Diagram



6. Main Technical Parameters

Model(SUN-CATV-T15D)	04	06	10
Optic Power (mW)	2x4	2x6	2x10
Optic Power (dBm)	6.0	8.0	10.0
Optic Wavelength (nm)	1550±20		
Fiber Connector	FC/APC、SC/APC、SC/UPC (Selected by the Customer)		
Working Bandwidth (MHz)	45~862		
Channels	59		
CNR (dB)	51		



CTB (dB)	≥65	
CSO (dB)	≥65	
RFInput Level (dBμV)	Without pre-distortion	78±5
	With pre-distortion	83±5
Band Unflatness	≤0.75	

Conversion of Optical Power

mW	1	2	3	4	5	6	7	8
dBm	0.0	3.0	4.8	6.0	7.0	7.8	8.5	9.0
mW	9	10	11	12	13	14	15	16
dBm	9.5	10.0	10.4	10.8	11.1	11.5	11.8	12.0
mW	17	18	19	20	21	22	25	32
dBm	12.3	12.5	12.8	13.0	13.2	13.4	14	15
mW	40	50	63	80	100	125	160	200
dBm	16	17	18	19	20	21	22	23

An important message from SUN Telecom

We guarantee that any information you supply will remain confidential.

By returning this card, you will automatically be notified about updates, modifications, and recalibration.

Warranty Registration Card

Serial Number: _____
Model Number: _____
Date of Purchase: _____
Company Name: _____
Company Address: _____
TEL: _____ FAX: _____
E-mail: _____

Note: Please fax this note within one month from the date of receiving units.

YOUR OPINION

Do you have any comments on the quality of this product or the service from us?

SHANGHAI SUN TELECOMMUNICATION CO., LTD.

Building No.145 Lane 666, Xianing Rd.
Jinshan Industrial Zone, Jinshan District
ShangHai, China 201506
Tel: +86 21 60138638 Fax: +86 21 60138635-401
E-mail: ics@suntelecom.cn
<http://www.suntelecom.cn>

