



# User's Manual

**SUN-100/1000 Fiber Optic Media Converter**

**English**

### 1. Instruction

Sun Telecom’s SUN-100/1000 series fiber optic media converters can transform Ethernet electric signals into optical signals or vice-versa and transmit optical signals over multimode or single-mode fiber. Under the premise of ensuring high-bandwidth transmission, these media converters can achieve a transmission of hundreds of kilometers long by using optical fiber media, which breaks the limitation of copper cable transmission distances. SUN-100/1000 series fiber optic media converters comply with IEC802.3 standards.

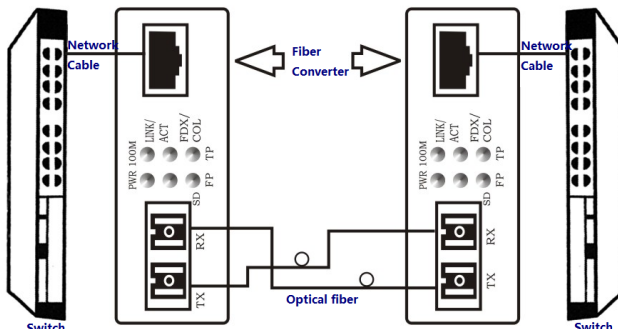
### 2. Packing List

No.	Product	Unit	Quantity
1	Fiber Optic Media Converter	set	1
2	Power Adaptor (Only for external power type)	piece	1
3	Power Line (Only for internal power type and rack mount chassis)	piece	1
4	User’s Manual	piece	1
5	Certification	piece	1

\*Card type fiber optic media converters **DO NOT** include any power line or adaptor and are used with the rack mount chassis.

### 3. Installation

Fiber optic media converters are used in pairs. The graph below shows the typical connection.



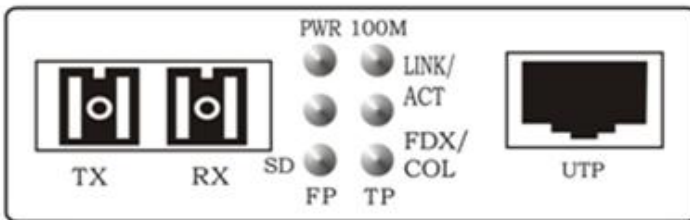
**Note**

While using card type fiber optic media converters, please use related 19 inch rack mount chassis.

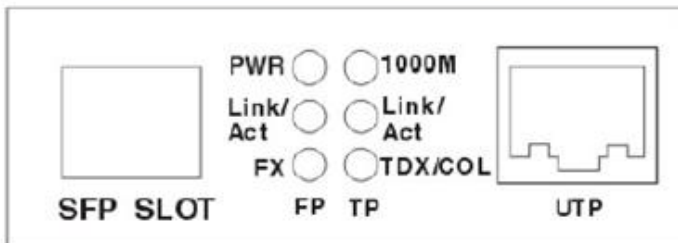


17 slots rack mount chassis

**4. LED Indicator Instruction**



LED indicator on fixed optical port panel



LED indicator on SFP panel

Name	State	Description
<b>Link/Act (FP)</b>	ON	Fiber link is connected
	Blink	Packets go through FX end
	OFF	Fiber link is disconnected
<b>Link/Act (TP)</b>	ON	Electric link is connected
	Blink	Packets go through TX end
	OFF	Electric link is disconnected
<b>FDX/COL</b>	ON	Full duplex mode
	OFF	Half duplex mode
<b>PWR</b>	ON	Power on
	OFF	Power off
<b>SD</b>	ON	Fiber signal is detected
	OFF	Fiber signal is not detected
<b>100M</b>	ON	Transfer rate of electric interface is 100Mbps
	OFF	Transfer rate of electric interface is 10Mbps
<b>1000M</b>	ON	Transfer rate of electric interface is 1000Mbps
	OFF	Transfer rate of electric interface is 100Mbps

---

## Warranty Instructions

### Warranty

We promise three years warranty for the SUN-100/1000 series of media converter.

During the warranty period, we provide free maintenance service, but in following circumstances, we will require the cost of materials and components

- Damage caused by not following the instructions of user's manual
- Damage caused by unauthorized disassembling the product
- Damage caused by lightning, fire and irresistible natural disasters
- Damage caused by matching problems due to poor design of other manufacturers' products

### SHANGHAI SUN TELECOMMUNICATION CO., LTD.

Building No.145 Lane 666, Xianing Rd.  
Jinshan Industrial Zone, Jinshan District  
ShangHai, China 201506

Tel: +86-21-60138638 Fax: +86-21-60138635-401

E-mail: [ics@suntelecom.cn](mailto:ics@suntelecom.cn)

<http://www.suntelecom.cn>

